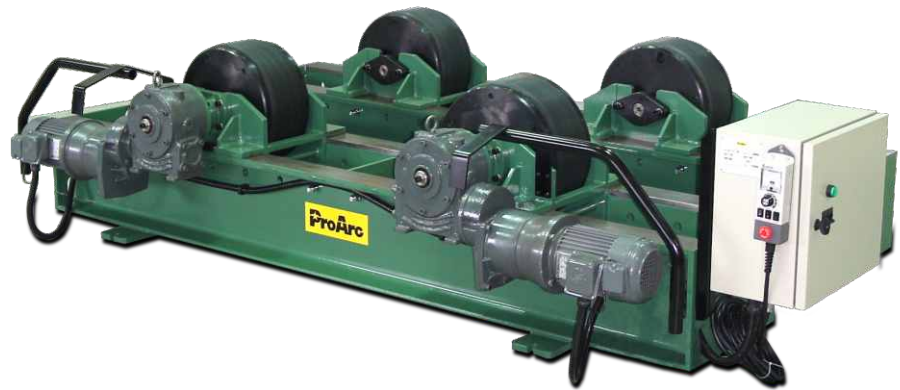


Turning Rolls

▶▶ *TR-K / TR-KB series*



■ TR-30KB

Features

- Capacities range from 15,000 to 240,000 kilograms.
- Main base frames are fabricated and stress relieved before machining.
- Superior worm gears & helical drive gears are designed to provide high torque and low backlash.
- Synchronized AC inverter drive control for two motors.
- Metallic rollers are bounded with natural rubber.
- TR-K series designed with symmetrical roller for quick and accurate centering adjustment.
- TR-KB series are bolt type for diameter adjustment.
- Hand pendant with Forward-Stop-Reverse, speed potentiometer and fast button are standard.
- High frequency protected.
- Fast/Slow footswitch - optional.

Specifications

Specification										
Model ^{※1}	Unit	TR-0100/0102	TR-3504	TR-1000B	TR-3500B	TR-6000B	TR-15KB	TR-30KB	TR-45KB	TR-60KB
Power input		AC 110 / 220V 50 / 60Hz 1 phase	AC 220~ 240V 50 / 60Hz 1 phase	AC 110 / 220V 50 / 60Hz 1 phase	AC 220~240V 50 / 60Hz, 1 phase		AC 220 / 380V 50 / 60Hz, 3 phase			
Drive motor	hp	1/12	1/2	1/8	1/2	1/2	1/2 + 1/2	1 + 1	1.5 + 1.5	1.5 + 1.5
Overall length (A) (drive / idler)	mm	542 / 450	780 / 700	1,330 / 1,260	1,520 / 1,260	1,670 / 1,260	3,000 / 2,480	3,120 / 2,480	3,240 / 2,480	3,360 / 2,480
Overall width (B) (drive / idler)	mm	320 / 160	425 / 280	300 / 300	500 / 400	500 / 400	800 / 800	900 / 860	950 / 910	1,000 / 960
Overall height (C) (drive & idler)	mm	335	520	391			648			
Turning capacity (drive + idler) ^{※2}	kgs	1,000	3,500	1,000	3,500	6,000	15K	30K	45K	60K
Diameter range (D)	mm	∅20 ~ 800	∅ 9 ~ 1,400	∅ 50 ~ 3,000			∅ 300 ~ 5,500			
Speed range	mm/min	80 ~ 1,600	60 ~ 1,200	60 ~ 1,200			100 ~ 1,500			100 ~ 1,350
Wheel diameter (E)	mm	∅200	∅200	∅200			∅405			
Wheel width (F)	mm	50	100	50	100	150	125	180	230	280
Wheel type		PU					Rubber	Rubber metal		
Weight (drive / idler)	kgs	54 (37 / 17)	165 (110 / 55)	97 (57 / 40)	171 (102 / 69)	242 (150 / 92)	1,207 (674 / 533)	1,390 (810 / 580)	1,620 (930 / 690)	1,850 (1,050 / 800)

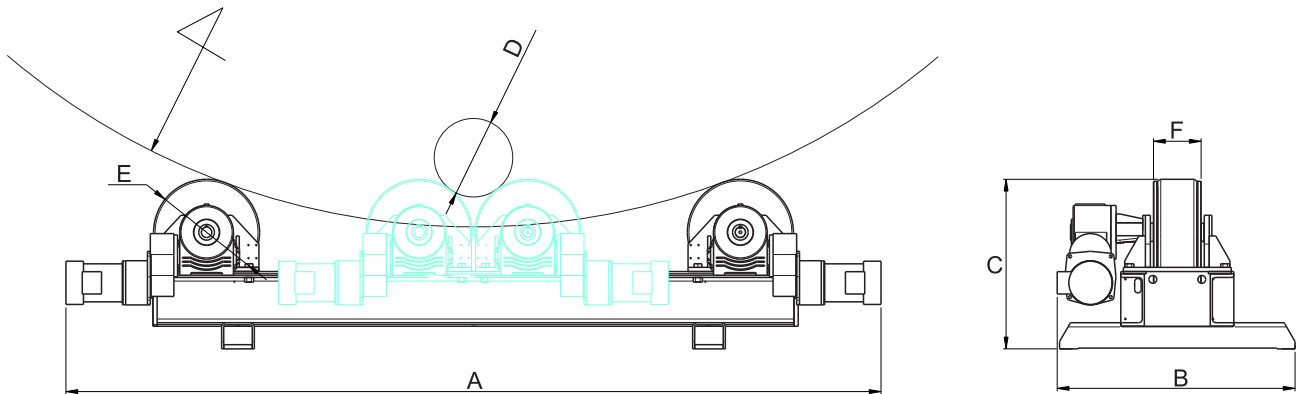
※1 "B" means advisable bolt type

※2 (drive + idler) means 1+1. More idlers are available.

※※ Special capacity please contact us

Specifications subject to change without notice

Dimensions



■ TR-15K

UNITED PROARC CORPORATION

No.3 Gungye 10th Road, Pingjen Ind. Park, Pingjen City, Taoyuan 324, Taiwan
 Tel: 886-3-4696600 Fax: 886-3-4694499 Http://www.proarc.com.tw E-mail:sales@proarc.com.tw